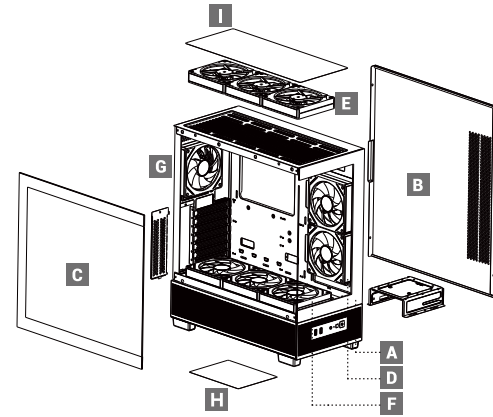


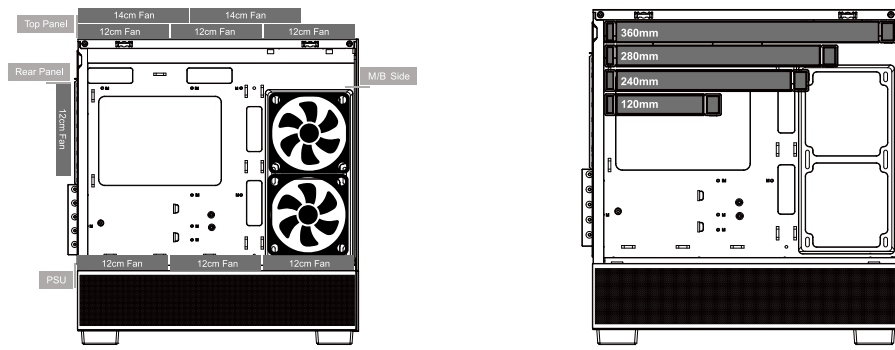


Q500M Series

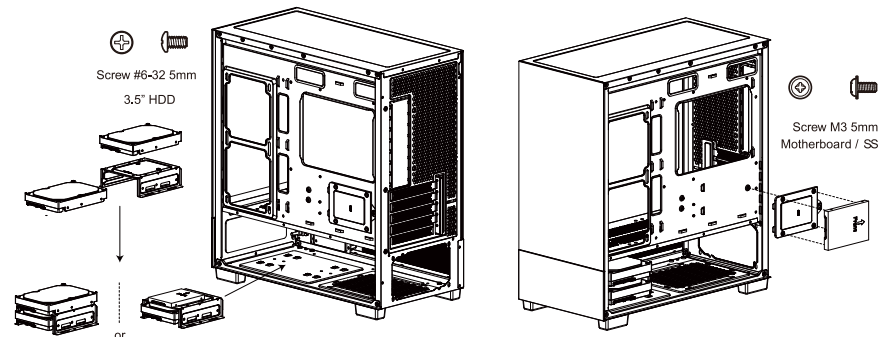


- A** Front panel x1
- B** Right side panel x1
- C** Left side panel made of tempered glass x1
- D** 120mm fan x2
- E** 120mm fan x3
- F** 120mm fan x3
- G** 120mm fan x1
- H** Bottom dust filter x1
- I** Top dust filter (magnetic) x1

Cooling fan & Radiator Installation



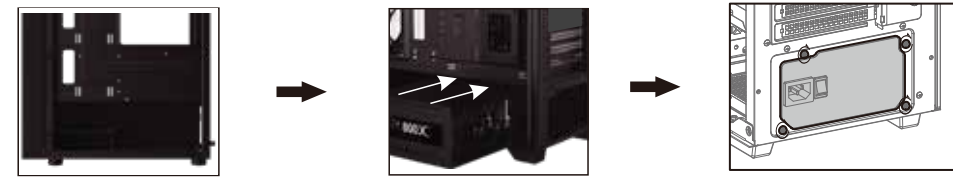
Hard Drives Installation: 3.5" HDD/2.5" SSD



WWW.XASTRAPC.COM



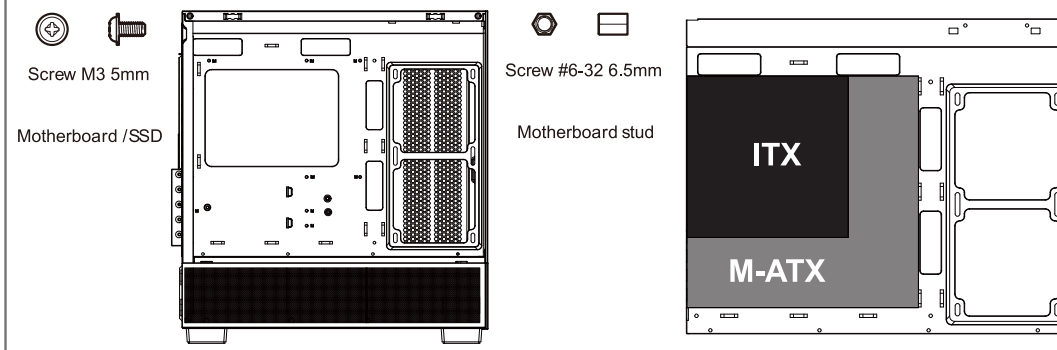
Power Supply Installation



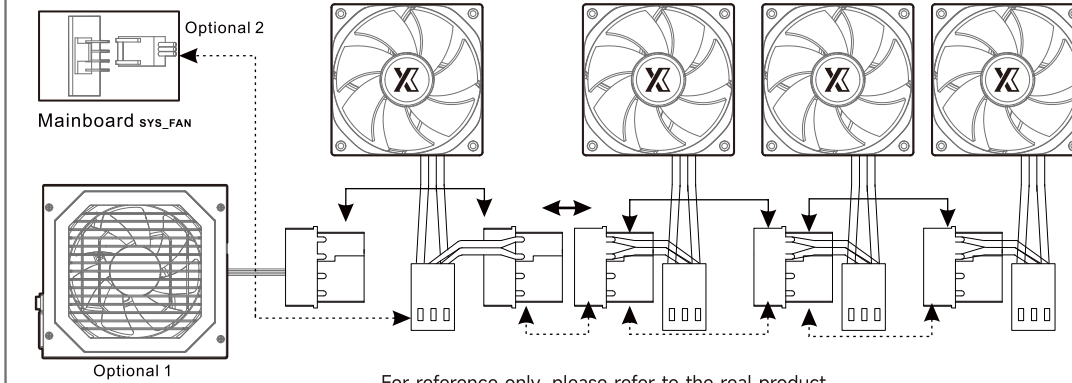
USB3.0 Installation



Motherboard Installation



FRGB Fan Connection (Fixed RGB Lighting)

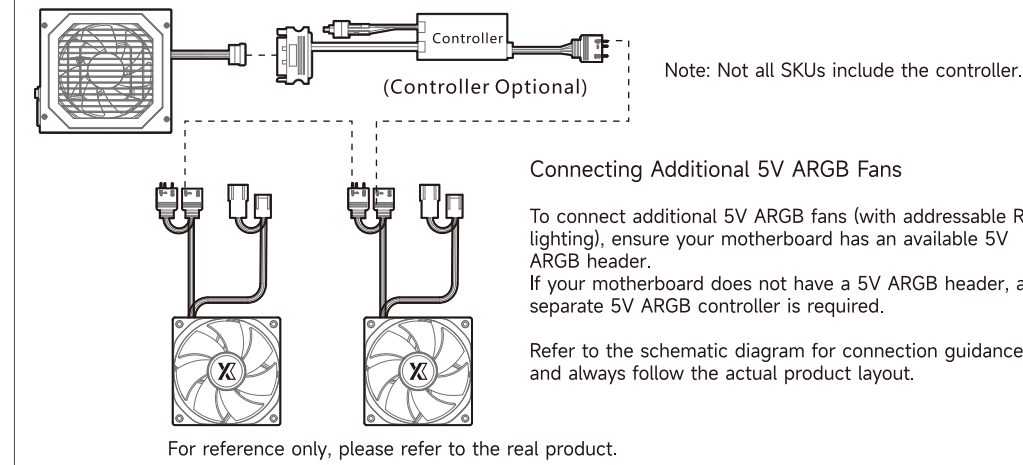


For reference only, please refer to the real product.

WWW.XASTRAPC.COM



ARGB Fan Connection



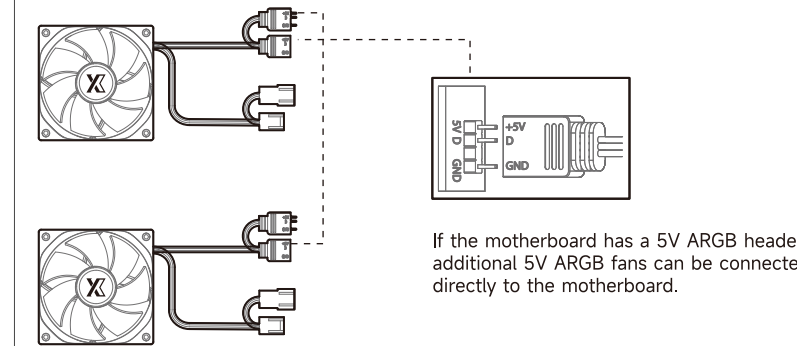
Note: Not all SKUs include the controller.

Connecting Additional 5V ARGB Fans
To connect additional 5V ARGB fans (with addressable RGB lighting), ensure your motherboard has an available 5V ARGB header. If your motherboard does not have a 5V ARGB header, a separate 5V ARGB controller is required.

Refer to the schematic diagram for connection guidance, and always follow the actual product layout.

For reference only, please refer to the real product.

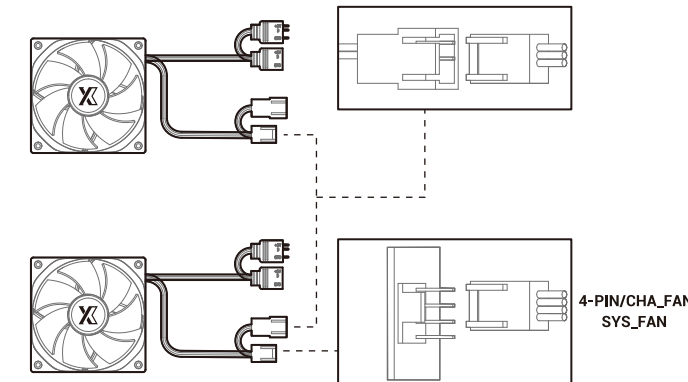
Motherboard RGB Synchronization



If the motherboard has a 5V ARGB header, additional 5V ARGB fans can be connected directly to the motherboard.

For reference only, please refer to the real product.

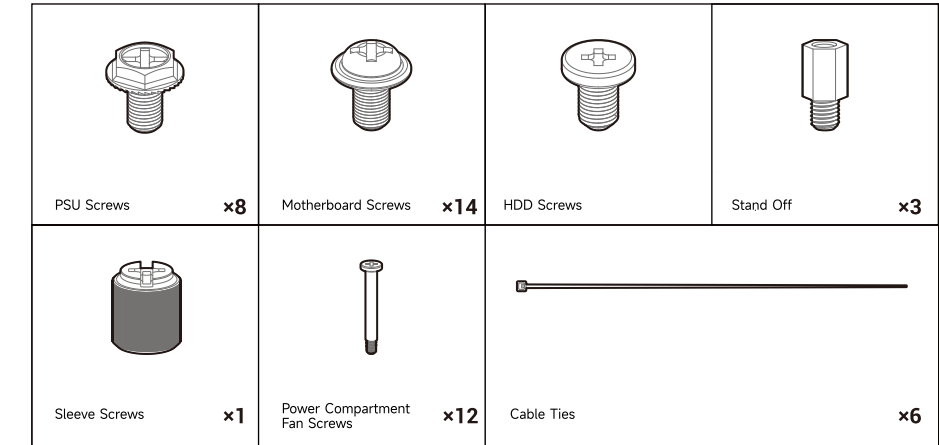
Fan Power Line Wiring (Connecting a 3-pin/4-pin fan to the 4-pin SYS FAN/CHA FAN header on the motherboard.)



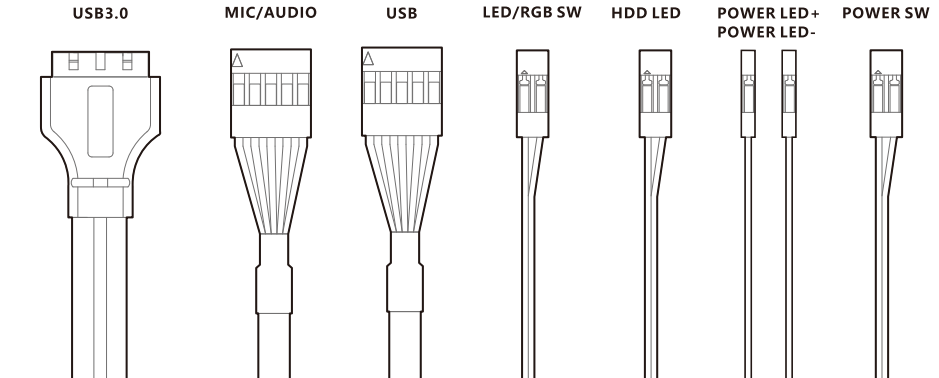
For reference only, please refer to the real product.



Accessories



Front I/O Connectors Installation



For reference only, please refer to the real product.

- EN For more information, please check our website at: www.xastrapc.com
- DE Für weitere Informationen besuchen Sie bitte unsere Website unter: www.xastrapc.com
- FR Pour plus d'informations, merci de visiter notre site internet: www.xastrapc.com
- ES Para más información, por favor visite nuestra página en: www.xastrapc.com
- IT Per ulteriori informazioni, visitate il nostro sito web: www.xastrapc.com
- PT Para mais informação, visita o nosso website em: www.xastrapc.com
- CZ Další informace najdete na našich webových stránkách: www.xastrapc.com
- KO 자세한 내용은 www.xastrapc.com에서 확인하실 수 있습니다.
- AR www.xastrapc.com ەبەردەتەن مەلۇماتلار ئۈچۈن بۇ ۋەب سەھىپەنى كۆرۈڭىز.
- TH www.xastrapc.com สำหรับข้อมูลเพิ่มเติม กรุณาเยี่ยมชมเว็บไซต์ของเรา
- SV För mer information, gå till vår hemsida på: www.xastrapc.com
- PL Więcej informacji można znaleźć na naszej stronie internetowej: www.xastrapc.com
- TR Daha fazla bilgi için, lütfen websitemizi ziyaret ediniz: www.xastrapc.com
- RU Корпус для ПК. Больше информации на сайте: www.xastrapc.com
- KK Көбүрөк ақпарат алу үшін биздің вебсайтымызга кіріңіз: www.xastrapc.com
- JA 詳細については、以下URL先の公式WEBサイトをご確認ください www.xastrapc.com
- VI Để biết thêm chi tiết, vui lòng kiểm tra tại website: www.xastrapc.com
- ZH 如需更多信息, 請瀏覽網站: www.xastrapc.com
- Manufacturer: SHENZHEN XASTRA TECHNOLOGY CO., LTD
Email: support@xastrapc.com