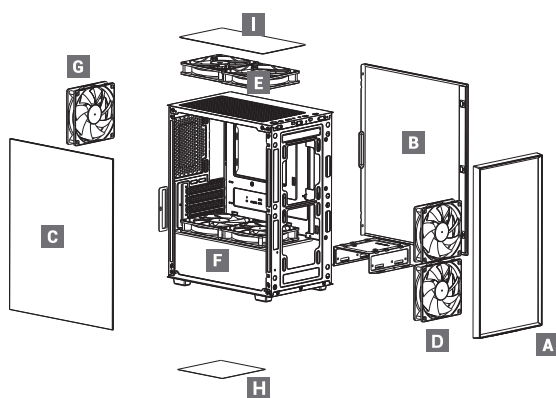


285.00 mm

210.00 mm

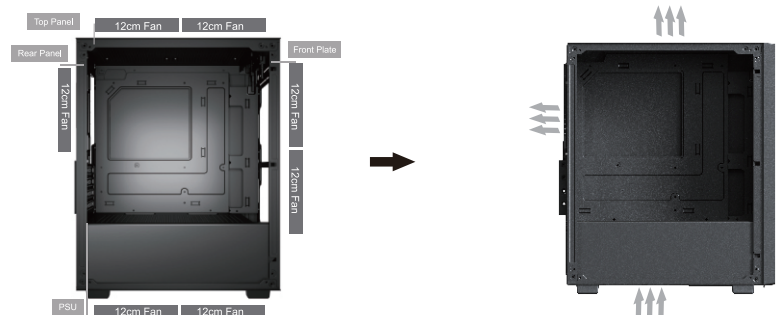


A307M/A306M Series



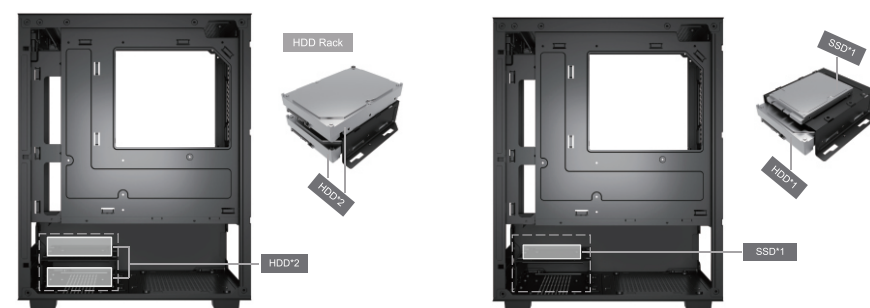
- A Front panel x1
- B Right side panel x1
- C Left side panel x1
- D 120mm fan x2
- E 120mm fan x2
- F 120mm fan x2
- G 120mm fan x1
- H Bottom dust filter x1
- I Top dust filter (magnetic) x1

Cooling Fans Installation



pre-Installed+optional

Hard Drives Installation: 3.5"HDD/2.5"SSD



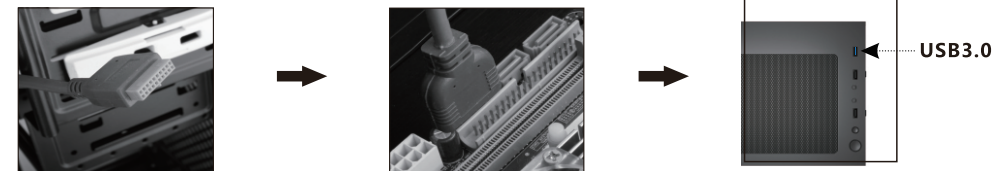
WWW.XASTRAPC.COM



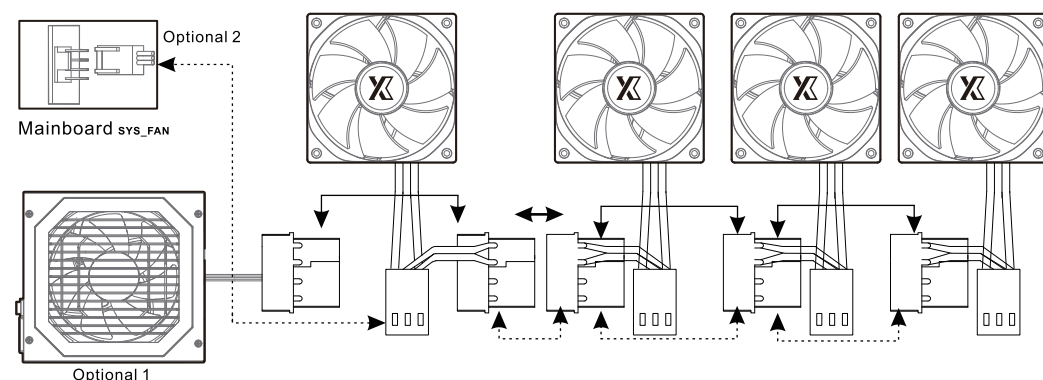
Power Supply Installation



USB3.0 Installation



FRGB Fan Connection (Fixed RGB Lighting)

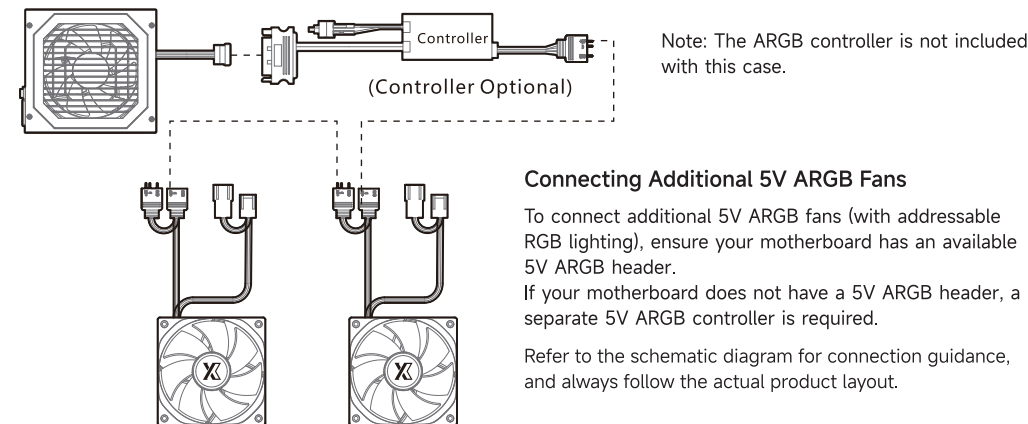


For reference only, please refer to the real product.

WWW.XASTRAPC.COM



ARGB Fan Connection



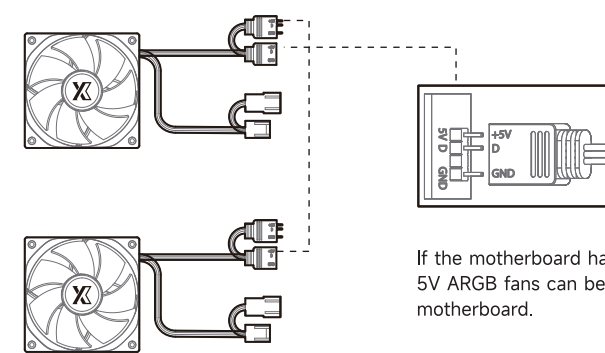
Note: The ARGB controller is not included with this case.

Connecting Additional 5V ARGB Fans

To connect additional 5V ARGB fans (with addressable RGB lighting), ensure your motherboard has an available 5V ARGB header. If your motherboard does not have a 5V ARGB header, a separate 5V ARGB controller is required. Refer to the schematic diagram for connection guidance, and always follow the actual product layout.

For reference only, please refer to the real product.

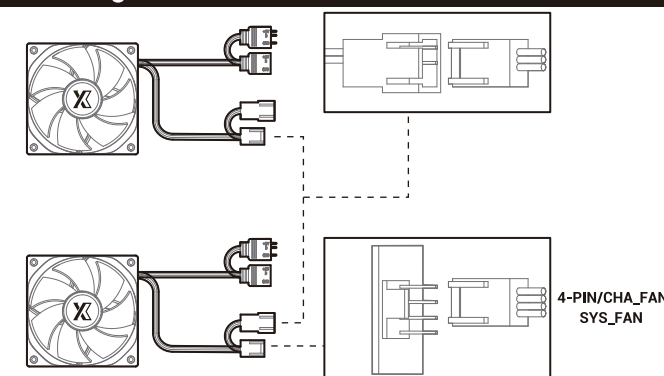
Motherboard RGB Synchronization



If the motherboard has a 5V ARGB header, additional 5V ARGB fans can be connected directly to the motherboard.

For reference only, please refer to the real product.

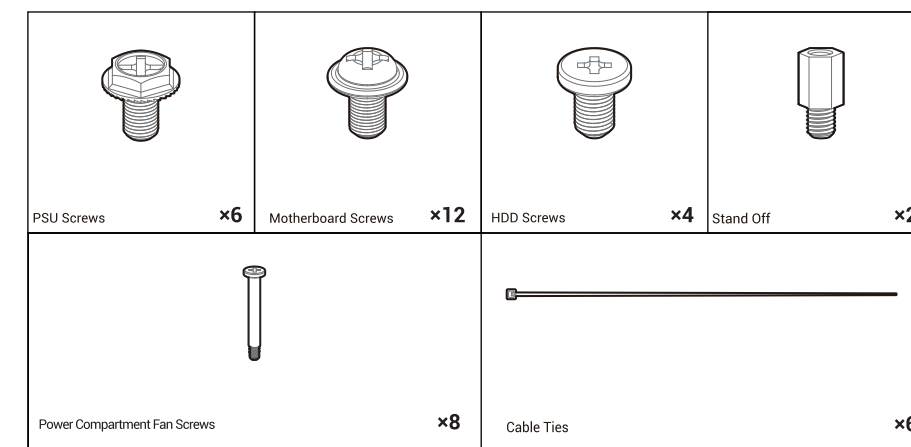
Fan Power Line Wiring (Connecting a 3-pin/4-pin fan to the 4-pin SYS FAN/CHA FAN header on the motherboard.)



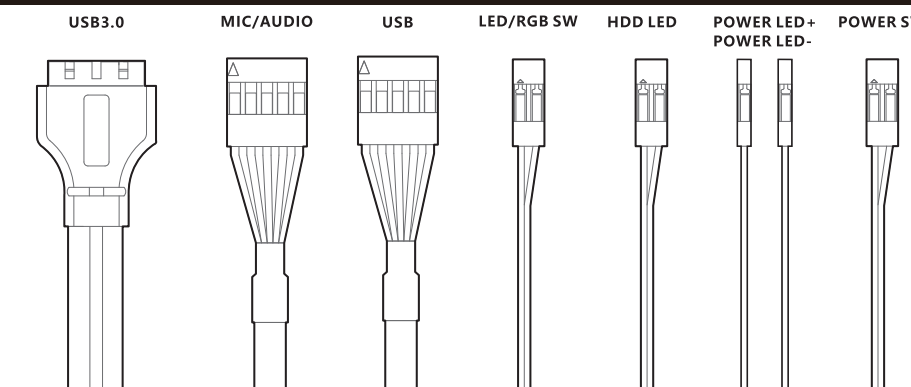
For reference only, please refer to the real product.



Accessories



Front I/O Connectors Installation



For reference only, please refer to the real product.

EN For more information, please check our website at: www.xastrapc.com
 DE Für weitere Informationen besuchen Sie bitte unsere Website unter: www.xastrapc.com
 FR Pour plus d'informations, merci de visiter notre site internet: www.xastrapc.com
 ES Para más información, por favor visite nuestra página en: www.xastrapc.com
 IT Per ulteriori informazioni, visitate il nostro sito web: www.xastrapc.com
 PT Para mais informação, visita o nosso website em: www.xastrapc.com
 CS Další informace najdete na našich webových stránkách: www.xastrapc.com
 KO 자세한 내용은 www.xastrapc.com에서 확인하실 수 있습니다.
 AR للمزيد من المعلومات، يرجى زيارة موقعنا على www.xastrapc.com
 TH avunse@ayaw@du6r65u6ci www.xastrapc.com
 SV För mer information, gå till vår hemsida på: www.xastrapc.com
 PL Więcej informacji można znaleźć na naszej stronie internetowej: www.xastrapc.com
 TR Daha fazla bilgi için, lütfen websitemizi ziyaret ediniz: www.xastrapc.com
 RU Корпус для ПК. Больше информации на сайте: www.xastrapc.com
 KK Корпек акпарат аны үчүн биздин вебсайтымызга келиңиз: www.xastrapc.com
 JA 詳細については、以下URL先の公式WEBサイトをご確認ください www.xastrapc.com
 VI Để biết thêm chi tiết, vui lòng kiểm tra tại website: www.xastrapc.com
 ZH 如需更多信息，請瀏覽網站: www.xastrapc.com
 Manufacturer: SHENZHEN XASTRA TECHNOLOGY CO.,LTD
 Email: support@xastrapc.com

正面

反面

技术要求:

- 1.双面印刷，图片文字必须印刷清晰；
- 2.材质使用常规说明书纸（75g双胶纸）