

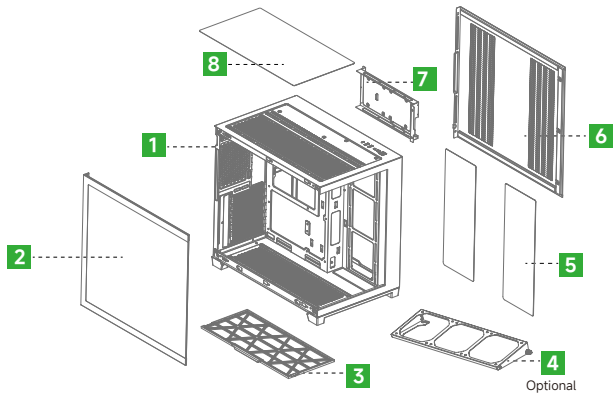


# **QW500 Series**

CASE

**XASTRA**

# Exploded View



1. Chassis

2. Tempered Glass Panel

3. Bottom Dust Filter

4. Fan Bracket (Optional)

5. Side Panel Dust Filter

6. Side Panel

7. SDD&HDD Tray

8. Top Filter

## Accessory Kit Contents

**A**



**x6**

**B**



**x17**

**C**



**x4**

**D**



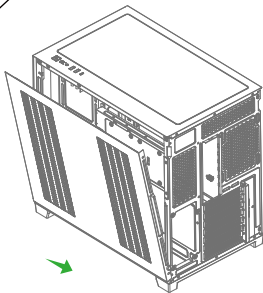
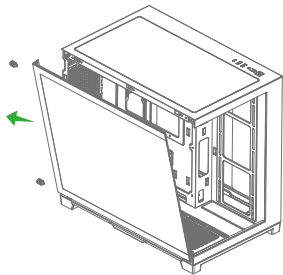
**x2**

**E**

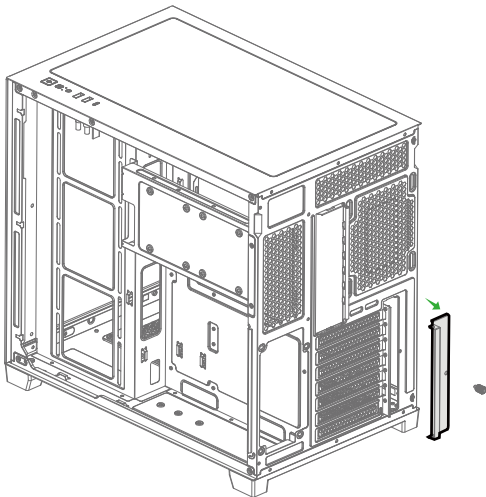


**x6**

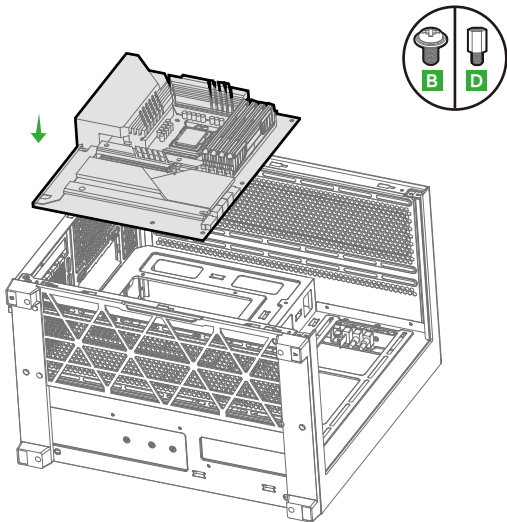
## Panels Removal



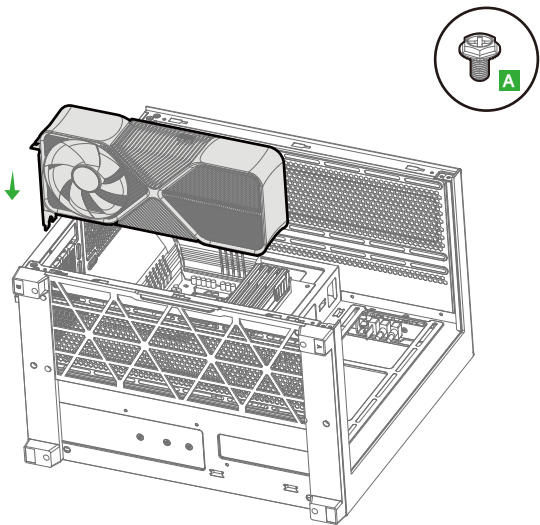
## PCI-e Slots Removal



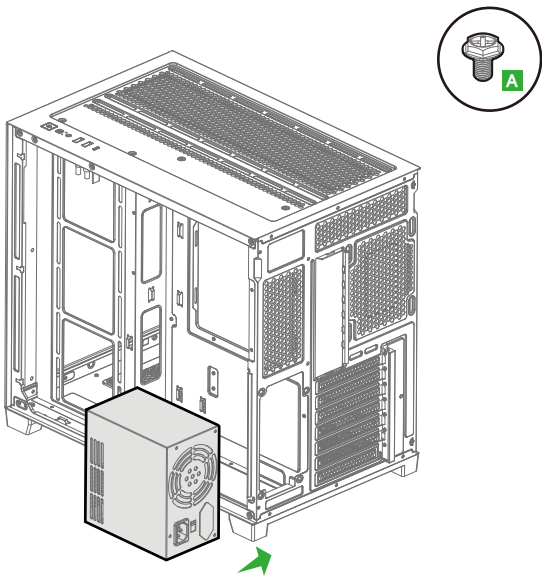
## Motherboards Installation



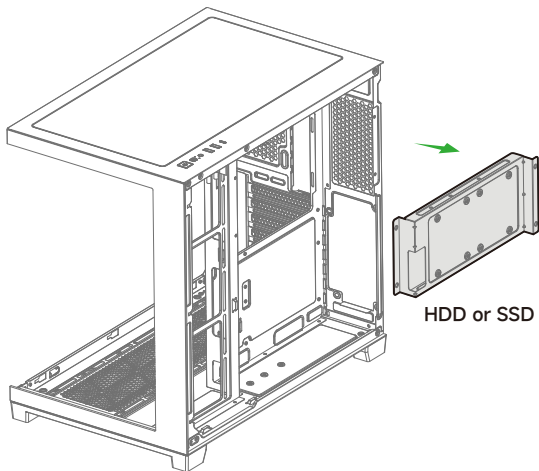
## Graphic Cards Installation



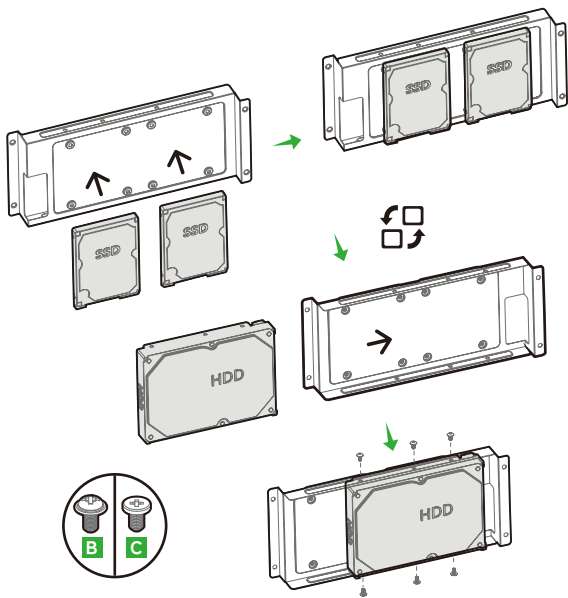
## Power Supplies Installation



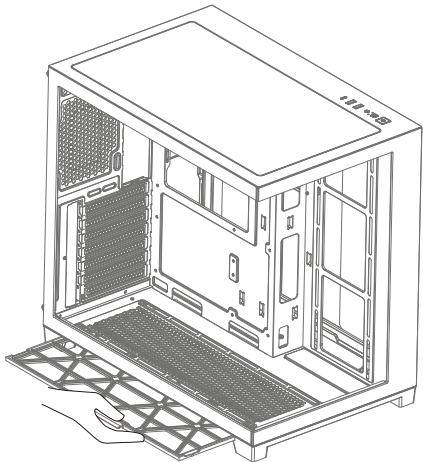
## Storage Installation



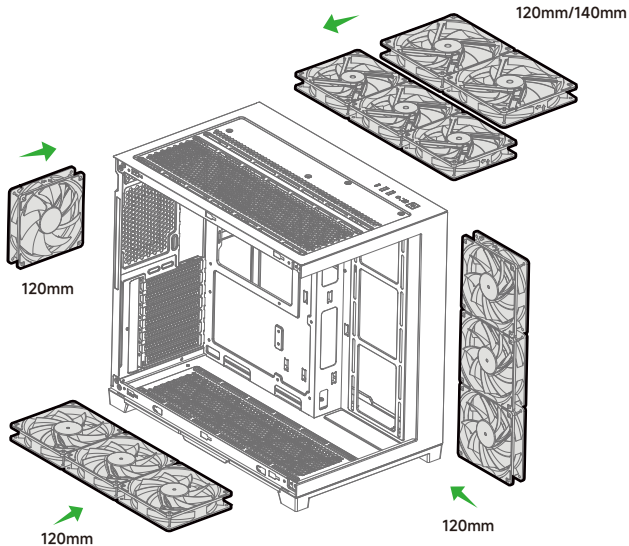
## 3.5" HDD or 2.5" SSD Installation



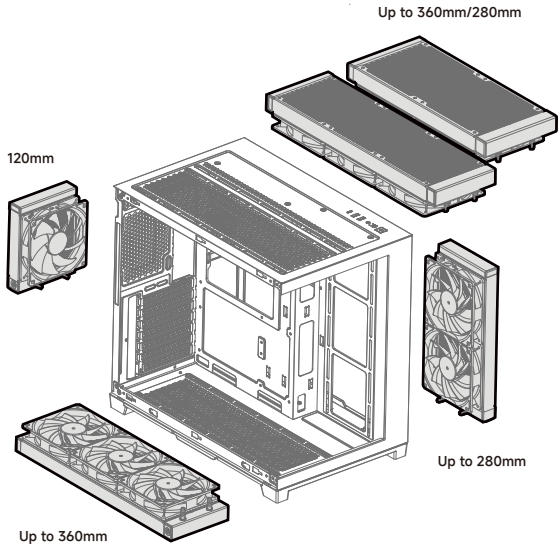
## Pull-out Dust Filter



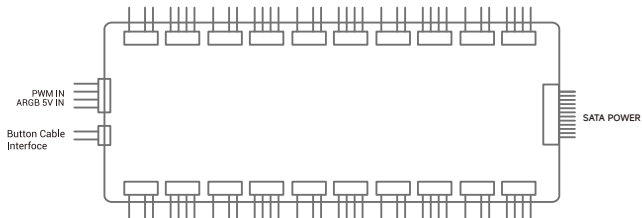
# Fans Installation



# Radiators Installation



## Fan Hub(Optional)



ARGB OUT



PWM OUT

- EN** For more information, please check our website at: [www.xastrapc.com](http://www.xastrapc.com)
- DE** Für weitere Informationen besuchen Sie bitte unsere Website unter: [www.xastrapc.com](http://www.xastrapc.com)
- FR** Pour plus d'informations, merci de visiter notre site internet: [www.xastrapc.com](http://www.xastrapc.com)
- ES** Para más información, por favor, visite nuestra página en: [www.xastrapc.com](http://www.xastrapc.com)
- IT** Per ulteriori informazioni, visitate il nostro sito web: [www.xastrapc.com](http://www.xastrapc.com)
- PT** Para mais informação, visita o nosso website em: [www.xastrapc.com](http://www.xastrapc.com)
- CS** Další informace najdete na našich webových stránkách: [www.xastrapc.com](http://www.xastrapc.com)
- KO** 자세한 내용은 [www.xastrapc.com](http://www.xastrapc.com) 에서 확인하실 수 있습니다
- AR** للمزيد من المعلومات , يرجى زيارة موقعنا على [www.xastrapc.com](http://www.xastrapc.com)
- TH** สำหรับข้อมูลเพิ่มเติม กรุณาเยี่ยมชมเว็บไซต์: [www.xastrapc.com](http://www.xastrapc.com)
- SV** För mer information, gå till vår hemsida på: [www.xastrapc.com](http://www.xastrapc.com)
- PL** Więcej informacji można znaleźć na naszej stronie internetowej: [www.xastrapc.com](http://www.xastrapc.com)
- TR** Daha Fazla bilgi için, lütfen websitemizi ziyaret ediniz: [www.xastrapc.com](http://www.xastrapc.com)
- RU** Корпус для ПК. Больше информации на сайте: [www.xastrapc.com](http://www.xastrapc.com)
- KK** Көбірек ақпарат алу үшін біздің вебсайтымызға кіріңіз: [www.xastrapc.com](http://www.xastrapc.com)
- JA** 詳細については、以下URL先の公式WEBサイトをご確認ください: [www.xastrapc.com](http://www.xastrapc.com)
- VI** Để biết thêm chi tiết, vui lòng kiểm tra tại website: [www.xastrapc.com](http://www.xastrapc.com)
- ZH** 如需要更多信息, 请浏览网站: [www.xastrapc.com](http://www.xastrapc.com)
- ZH** 如需要更多信息 請瀏覽網站: [www.xastrapc.com](http://www.xastrapc.com)

Manufacture: SHENZHEN XASTRA TECHNOLOGY CO.,LTD

E-mail: [support@xastrapc.com](mailto:support@xastrapc.com)



[www.xastrapc.com](http://www.xastrapc.com)